

# Rich Brilliant Willing

50 Greene St  
New York NY 10013  
T +1 212 388 1621  
sales@richbrilliantwilling.com



pictured: palindrome 6

## Palindrome

CHANDELIER

**Year Designed**  
2014

### Description

Sculptural and malleable the contortionist Palindrome was built to adapt to its environment. Each installation is unique, thanks to the modular composition of its tubular steel arms. They rotate to the custom configuration dictated by the size and shape of a space

**Country of Manufacture**  
USA

### Materials

Steel tubing and cast glass

**Specification**  
54W power consumption  
2532 lumens delivered

**Lamping**  
(6) 9W LED  
710 lumen source  
min 90 CRI

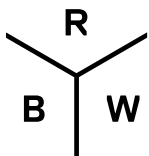
**LED Lifespan**  
50k hours

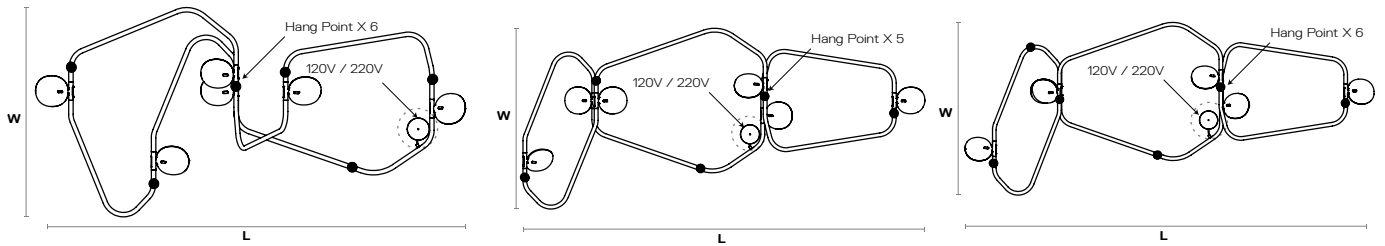
**Certification**  
c  

**Cord Length**  
72 in / 1829 mm  
Custom length available

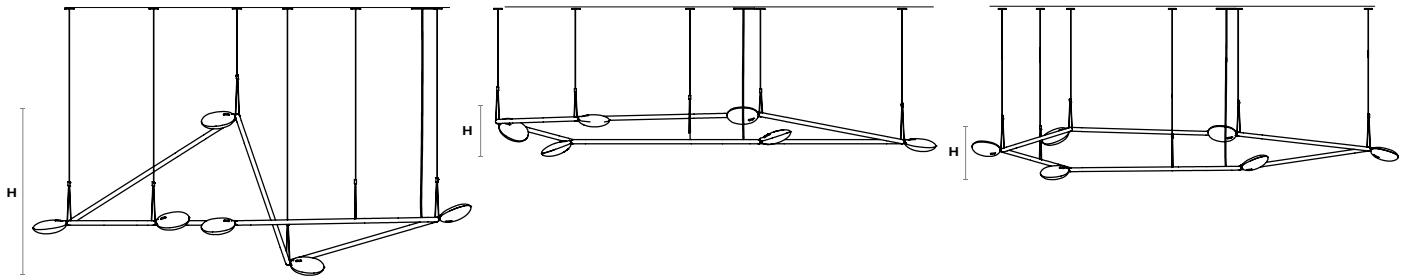
**Suspension**  
(6) 1.2 mm braided steel cable  
8 in / 127 mm canopy

**Packaging**  
(1) 48 x 8 x 56 in H  
35 lb / 15.8 kg  
(1) 20 x 12 x 12 in H  
24 lb / 4.5 kg  
(1) 12 x 12 x 8 in H  
12 lb / 2.3 kg





**PLAN**



**ELEVATION**

**Flat Installation 1**

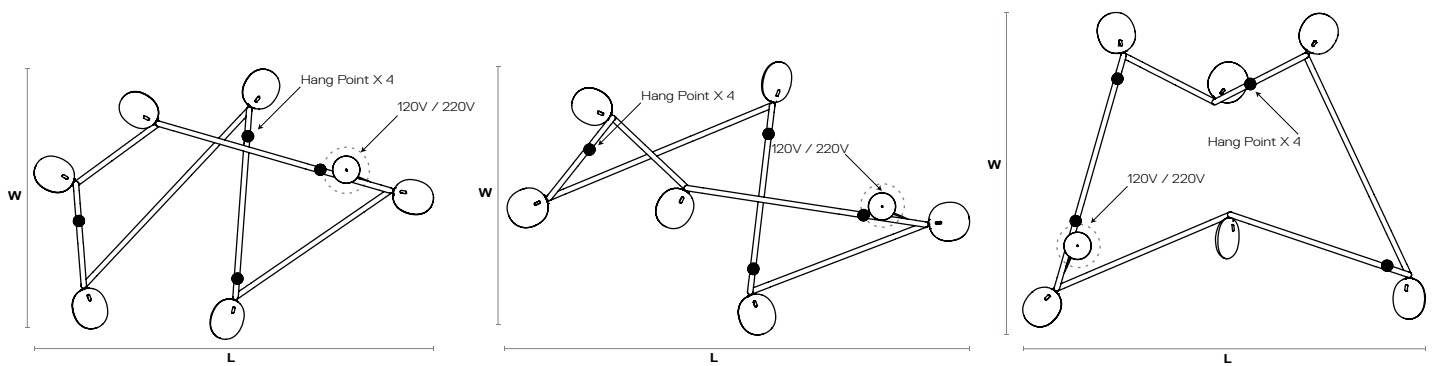
**W** 47.3" / 120 cm  
**L** 97.3" / 247 cm  
**H** 36.3" / 92 cm  
 6 Hang Cables required  
 Maximum 72" / 183 cm

**Flat Installation 2**

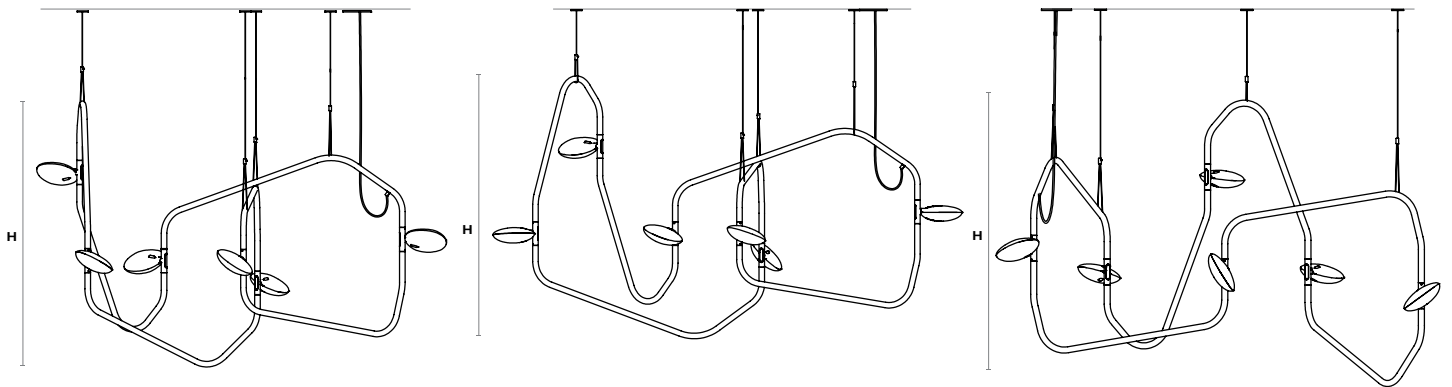
**W** 47" / 120 cm  
**L** 105" / 268 cm  
**H** 12" / 30 cm  
 5 Hang Cables required  
 Maximum 72" / 183 cm

**Flat Installation 3**

**W** 48" / 121 cm  
**L** 105" / 226 cm  
**H** 14" / 36 cm  
 6 Hang Cables required  
 Maximum 72" / 183 cm



**PLAN**

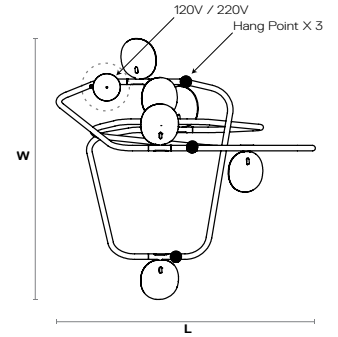
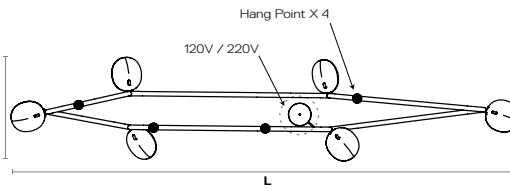
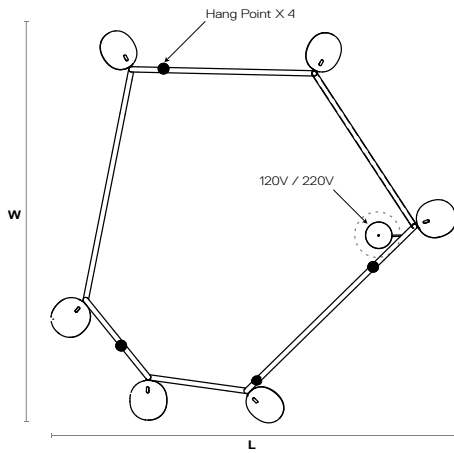


**ELEVATION**

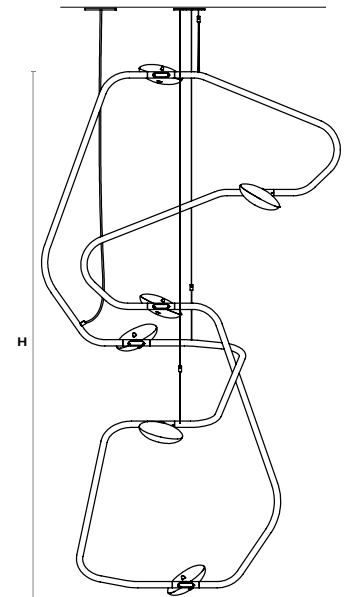
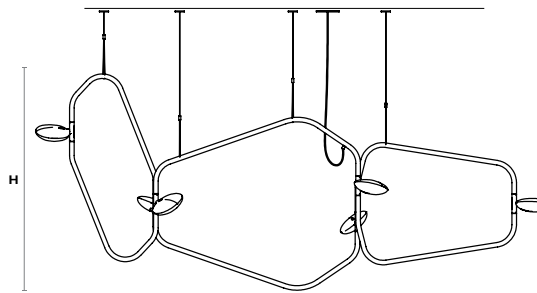
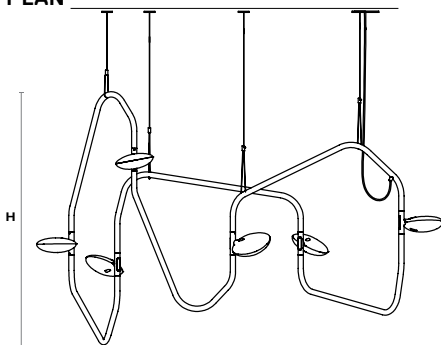
**Dynamic Installation 1**  
**W** 49.5" / 126 cm  
**L** 73.2" / 186 cm  
**H** 47.2" / 120 cm  
 4 Hang Cables required  
 Maximum 72" / 183 cm

**Dynamic Installation 2**  
**W** 50.1" / 127 cm  
**L** 84.8" / 215 cm  
**H** 46" / 117 cm  
 4 Hang Cables required  
 Maximum 72" / 183 cm

**Dynamic Installation 3**  
**W** 55.9" / 142 cm  
**L** 73.5" / 187 cm  
**H** 44.5" / 113 cm  
 4 Hang Cables required  
 Maximum 72" / 183 cm



**PLAN**



**ELEVATION**

**Circle Installation 1**

**W** 74.2" / 188 cm  
**L** 75.8" / 192 cm  
**H** 47.5" / 120 cm  
 3 Hang Cables required  
 Maximum 72" / 183 cm

**Line Installation 2**

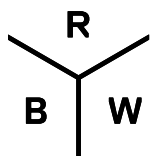
**W** 47.4" / 120 cm  
**L** 46.2" / 117 cm  
**H** 94.1" / 239 cm  
 4 Hang Cables required  
 Maximum 72" / 183 cm

**Vertical Installation 3**

**W** 47.4" / 120 cm  
**L** 47.6" / 121 cm  
**H** 84.2" / 214 cm  
 3 Hang Cables required  
 Maximum 72" / 183 cm

# Palindrome

Specification Logic



## Model

Palindrome PD

## Variant

2 lamp head 2  
 4 lamp head 4  
 6 lamp head 6  
 8 lamp head 8

## Primary Finish (reference finish library)

powder coating PC\_\_  
 plated finish PF\_\_  
 custom finish PCXX / PFXX

## Joint Finish (reference finish library)

powder coating JPC\_\_  
 plated finish JPF\_\_  
 custom finish JPCXX / JPFXX

## Color Temp

2200K (candlelight) (TRIAC 'TR' control only) 22  
 2700K (warm white) 27  
 3000K (soft white) 30  
 3500K (neutral white) 35

## Input Voltage

110-120V 120  
 220-240V (only with Flex "-TM" control) 220  
 110-277V (only with Performance "-10" or "-DL" control) 277

## Control

Standard TRIAC forward-phase (10-100% dimming) TR  
 Flex 0-10V analog\* (1-100% dimming) TM  
 Flex TRIAC forward-phase\* (1-100% dimming) TM  
 Flex ELV reverse-phase\* (1-100% dimming) TM  
 Performance 0-10V analog\* (0.1-100% dimming) 10  
 Performance DALI digital\* (0.1-100% dimming) DL

\*requires external power supply

## Power Supply Enclosure

external power supply DEX

## Power Supply Enclosure

Enclosure standard with every order. UL listed for cabinet and surface mount use.

11 x 2 x 4 in  
 286 x 48 x 95 mm

More information on power supply driver can be found at [RichBrilliantWilling.com/driver](http://RichBrilliantWilling.com/driver)

PD	-	-	-	-	-	-	-
model	variant	primary finish	joint finish	CCT	input	control	power